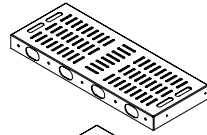


RSF1041BK11S4K2 1U Vented Sliding Shelf Installation



Included in this package

(1) Short Vented Panel



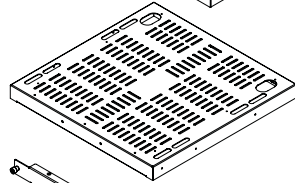
(18) M4 x 8 Screws



(8) #10-32 x 5/8 Screws



(1) Main Vented Panel



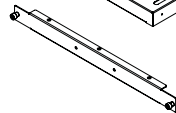
(8) #12-24 x 5/8 Screws



(4) M4 Hex Nuts



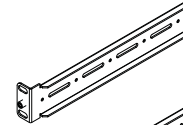
(1) Front Cover Panel



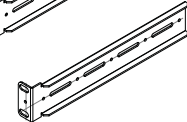
(1) Handle Bar and Mounting Screw



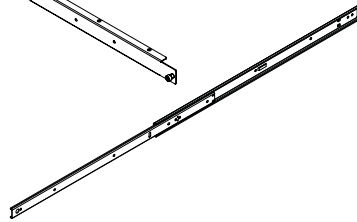
(2) Front Ear Bracket w/standoff



(2) Rear Ear Bracket w/o standoff

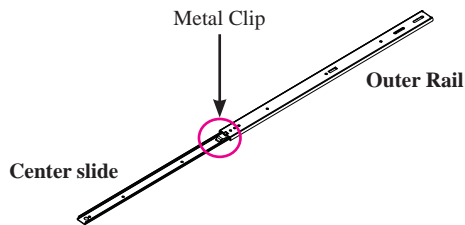


(2) 24" Sliding Rail

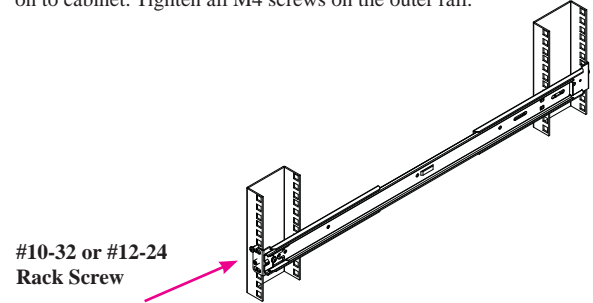


Installation Steps

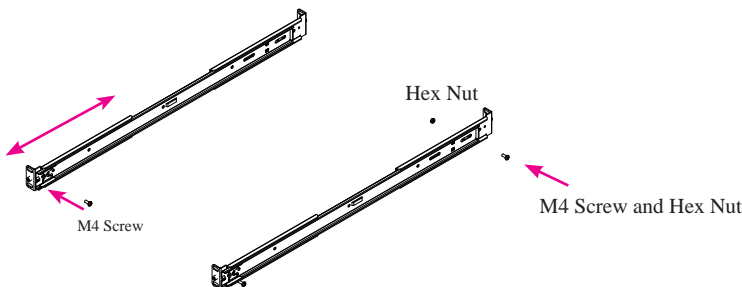
- 1 Holding the 24" sliding rail on one hand then pull the center slide (traveling slide) all the way out until it stops. You will see a metal clip at the end point of center slide. Pushing down the metal clip to unlock the center slide.



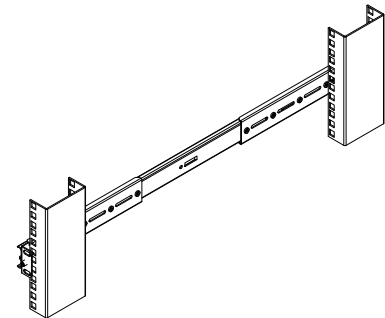
- 4 Attach the front ear bracket with rail on to the cabinet as show below. Use included rack screws to secure front and back ear bracket on to cabinet. Tighten all M4 screws on the outer rail.



- 2 Mounting the front ear bracket as show in the picture below. Adjusting the front ear bracket according to the mounting position you want in your cabinet. The first screw hole is the default mounting position. Secure the outer slide to front ear bracket with a M4 screw included.



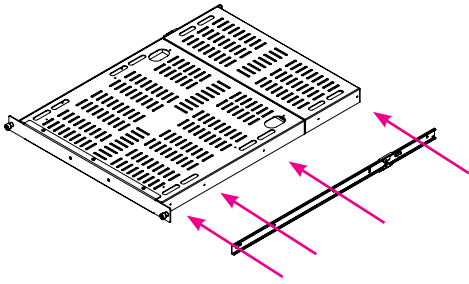
5. Repeat Step 1 to 4 for right hand side rail and ear bracket.



3

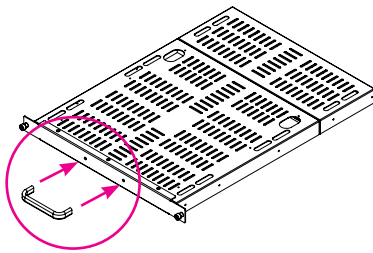
Mounting the rear ear bracket to rear side of rail. Adjust the rear ear bracket according to depth of your cabinet. If a screw hole is available, secure ear bracket to outer rail with a M4 screw. If only open slot is available, secure rear ear bracket with outer rail with both screw at front and hex nut at other side. Do not tighten screw yet.

- 6 Attaching center rail to right side of shelf. Make sure all 4 screw holes are aligned. Secure center rail to shelf with (4) M4 screws.

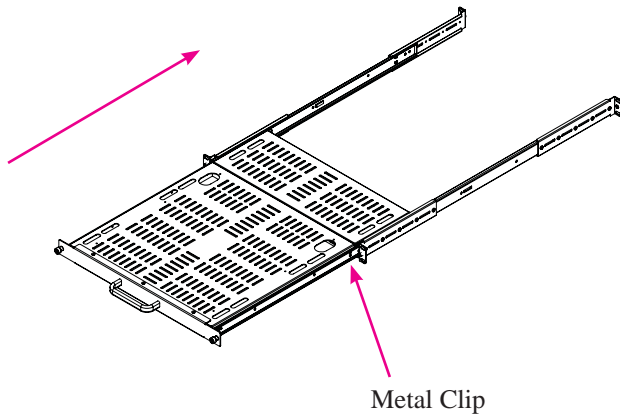


- 7 Repeat Step 6 for left side of shelf. Secure center rail to shelf with (4) M4 screws.

- 8 Attaching handle bar to front panel. Align handle bar with two holes at front. Secure handle bar with (2) #10-32 screws from inside shelf.



- 9 Align center rail with outer rail in the cabinet. Push shelf in until you hear the metal tap click. Push down the metal tap on the center rail to continue. You might encounter a little resistance when push in. That is normal.



- 10 Installation complete.